

PRODUCT TECHNICAL SHEET

Collection :

LINE

Ref. :

4075.11.74

Thermostatique à encastrer

Inbouw thermostaat

Concealed thermostatic

Picture

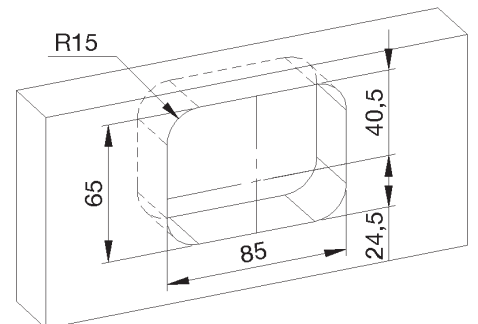
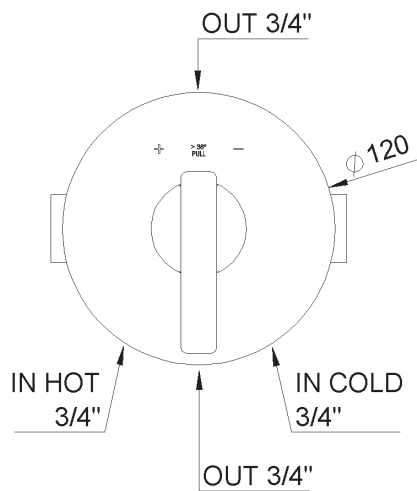
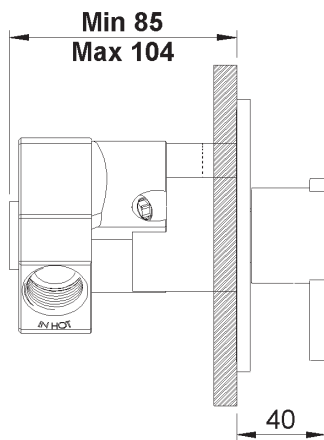
Product details



Flow at 3 bar : 32 l/min

T° mechanism : Thermostatic wax cartridge

Technical drawing



RA1.V01